

SPECIAL TANK

BUFFER TANK
FOR SOLAR
AND HEATING

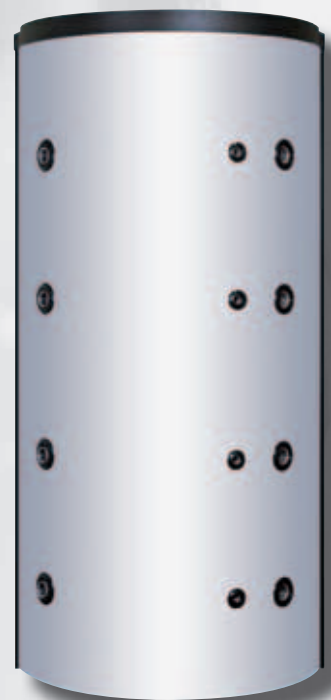
PSM / PSF / PSR / PSRR
500-5000 litres

PZ/PZR/PZRR
500-1500 litres



BUFFER TANK

NEW ECO SKIN 2.0
38%*
ENERGY SAVING
BY A PERFECT FIT



QUALITY YOU CAN FEEL

The AE buffer tanks are suitable for all hot water central heating systems, whether solid fuel, oil fired boilers, heat pumps, solar panels, gas or electric water heaters.

You can add more buffer tanks in parallel to increase capacity (see technical data and accessories), according to your requirements. Furthermore, the buffer tanks can also be used for cold-water storage cooling or heat recovery processes can be used (operating system pressure at 3 bar) in industrial facilities (suitable Armaflex insulation to be used but must be installed on site).

Austria Email offers advice on supplementary equipment needed, such as the installation of heat exchangers or electric heating option depending on the power required (for more information see accessories brochure).

Energy-saving ECO SKIN 2.0 thermal insulation is used for our complete buffer tank range.

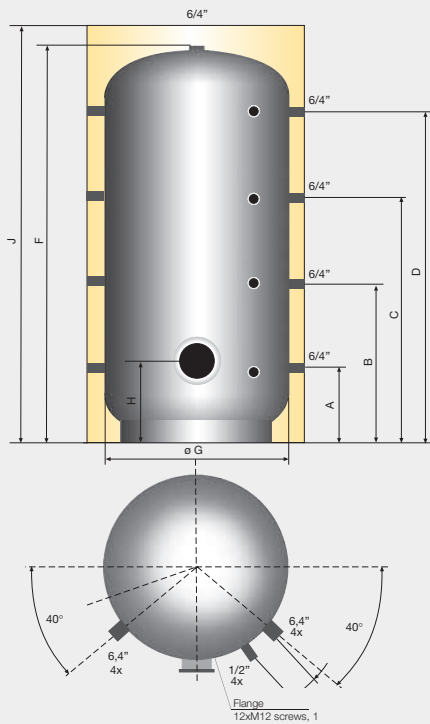


* On the PSM 1000 buffer storage, as compared to the soft foam insulation

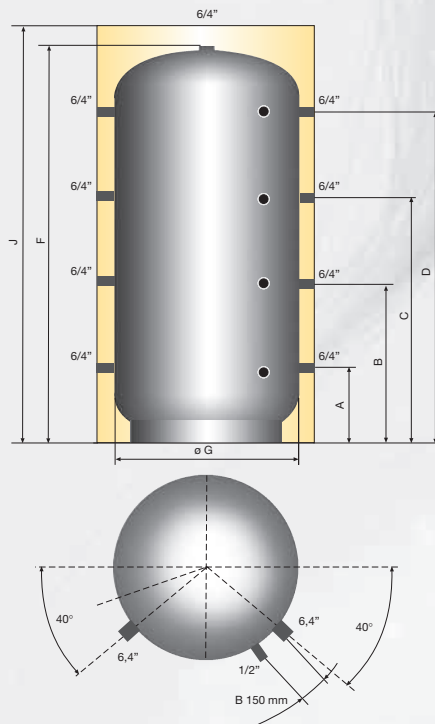
SOLAR AND HOT WATER STORAGE TANK

PSM/PSF/PSR/PSRR

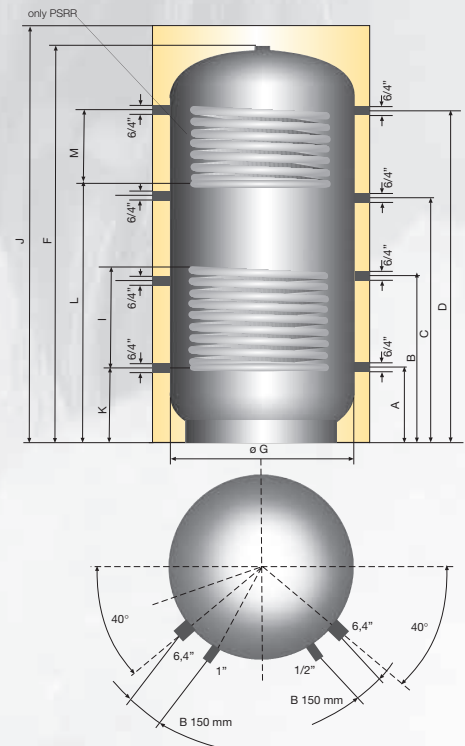
PSF
PSM BUFFER WITH
FLANGE D 240



PSM
BUFFER WITH 6/4" CONNECTOR SOCKETS



PSR / PSRR
BUFFER TANK
(PSM PIPE REGISTER)



Types	500	800	825	1000	1500	2000	3000	4000	5000
PSF	•	•		•	•	•	•	•	•
PSM	•	•	•	•	•	•	•	•	•
PSR	•	•		•	•	•	•	•	•
PSRR		•		•	•	•	•	•	•

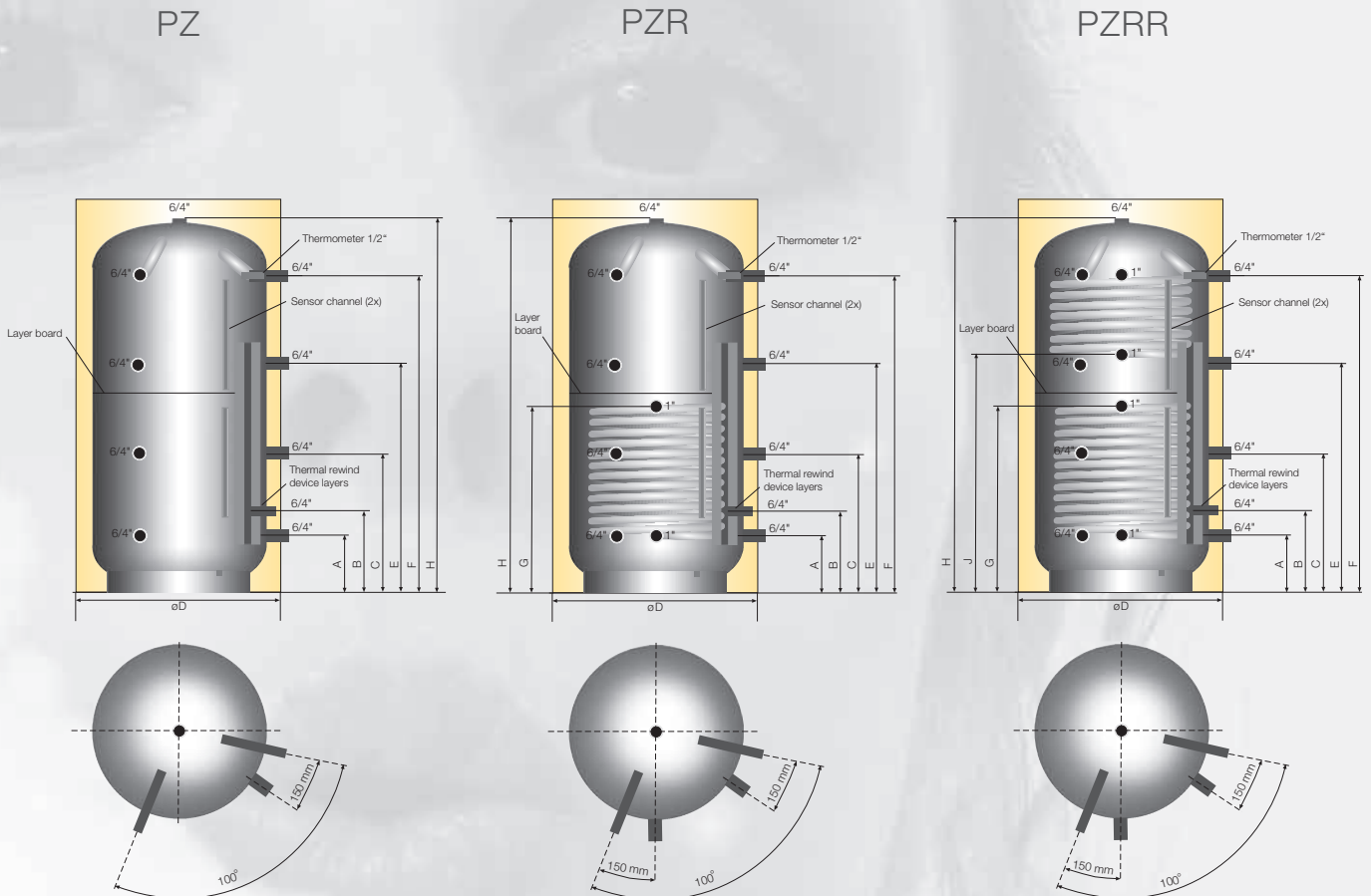
Types	BEWW kWh/24h*								
	500	800	825	1000	1500	2000	3000	4000	5000
PSF	2,8	3,4	-	3,7	4,6	5,3	6,7	7,8	8,7
PSM	2,3	2,9	2,9	3,4	4,0	4,7	6,0	7,0	7,9
PSR	2,4	3,0	-	3,5	4,4	5,1	6,4	7,5	8,4
PSRR	-	3,2	-	3,7	4,6	5,3	6,6	7,7	8,6

*Standby power consumption value according to EN 12897 in kWh/24h

Type	Topple mm	Dimensions in mm												Register area m ²		Register contents l	
		A	B	C	D	F	ø G	H	I	J	K	L	M	below	top	below	top
500 l	1670	220	620	1010	1390	1640	650	340	495	1725	220	-	-	1,8	-	11	-
800 l	1750	260	630	1030	1430	1700	790	390	585	1785	260	1070	360	2,4	1,8	15	11
825 l	1900	260	685	1140	1595	1857	790	-	-	1940	-	-	-	-	-	-	-
1000 l	2090	310	745	1250	1710	2050	790	390	720	2135	310	1160	540	3	2,4	19	15
1500 l	2270	380	825	1350	1760	2150	1000	415	800	2235	375	1260	500	3,6	2,4	22	15
2000 l	2460	320	900	1490	2020	2380	1100	423	800	2465	320	1420	540	4,2	2,8	26	18
3000 l	2650	375	985	1600	2205	2596	1250	460	720	2681	375	1665	540	4,5	3,0	29	19
4000 l	2740	405	1022	1639	2255	2669	1400	490	720	2754	405	1715	540	5,0	3,6	32	22
5000 l	2893	455	1065	1680	2285	2770	1600	540	720	2855	455	1745	540	6,0	4,2	39	26

BUFFER LAYER PZ/PZR/PZRR

Our proven PS Range buffer tanks is complemented by a high-quality alternative. The PZ / PZR / PZRR range uses a layering device with a separation plate in the heating return. This allows better utilization of the buffer contents together with flexible positioning of the temperature sensors to round off this innovative concept.



Types	500	800	1000	1500
PZ	•	•	•	•
PZR	•	•	•	•
PZRR	•	•	•	•

Types	BEWW kWh/24h*			
Types	500	800	1000	1500
PZ	2,5	3,1	3,5	4,2
PZR	2,7	3,3	3,6	4,4
PZRR	2,8	3,4	3,8	4,5

*Standby power consumption value according to EN 12897 in kWh/24h

Type	Dimensions in mm										Register area m ²		Register contents l					
	Topple mm	H	H with Insulation	øD	øD with Insulation	A	B	C	E	F	G		J		below		top	
											(PZ / PZR / PZRR)	(PZ / PZR / PZRR)	(PZ / PZR / PZRR)	(PZ / PZR / PZRR)	(PZ / PZR / PZRR)	(PZ / PZR / PZRR)		
500 l	1670	1640	1725	650	850	220	320	620	1010	1390	-/1175/715	-/11040	-/1,9/1,9	-/1,2	-/12,3/12,3	-/17,9		
800 l	1750	1700	1785	790	990	260	365	630	1030	1430	-/845/845	-/11070	-/2,4/2,4	-/1,6	-/15,6/15,6	-/10,6		
1000 l	2090	2050	2135	790	990	310	415	745	1250	1710	-/1030/1030	-/11160	-/3,0/3,0	-/2,4	-/19,2/19,2	-/15,6		
1500 l	2270	2150	2235	1000	1200	380	480	825	1350	1760	-/1175/1175	-/1265	-/3,6/3,6	-/2,4	-/23,5/23,5	-/15,6		

BUFFER TANK SPECIFICATIONS AND ACCESSORIES

SPECIFICATIONS

- Nominal content of PSF / PSM / PSR / PSRR of 500 to 5000 litres; nominal content PZ / PZR / PZRR from 500 to 1500 litres
- High quality steel St 37-2
- ECO SKIN 2.0 - fleece insulation 100 mm (up to 5000 l)
- Large pipe register with types PSR / PSRR and PZR / PZRR
- 240 mm with flange for types PSF for the installation of a finned tube heat exchanger or heating installation
- Operating pressure 3 bar, Test pressure 4,5 bar in the buffer storage tank
- Operating pressure max. 10 bar, test pressure 15 bar in the tube register with types PSR / PSRR and PZR / PZRR
- 9 Connection thread $\frac{6}{4}$ " (female)
- Rule 4 female thread $\frac{1}{2}$ " ID (inner thread) with types PSF / PSR and PSM / PSRR
- 2 sensors channels for variable positioning of the sensor in types PZ / PZR and PZRR
- Operating temperature 95 ° C, 110 ° C in the heating coil
- Powder coated exterior (color variations) up to 2000 litres
- Rust prevention paint outside (from 3000 litres)

ACCESSORIES

- Finned-tube heat exchanger RWT2-180 (1.8 m²)
- Finned-tube heat exchanger RWT2-230 (2.3 m²)
- Finned-tube heat exchanger RWT2-360 (3.6 m²)
- Finned-tube heat exchanger RWT2-450 (4.5 m²)
- Heating installation RSW 2-9 U
- Heating installation RSW 2-24 U
- Heating installation RSW 2-45 U
- Screw-type series „SH“ (1.5 to 9.0 kW except PSRR 1000, 1500, 2000 and 1000 and 1500 PZRR)
- Stainless steel corrugated hose connection for PS connections
- Conduit Fitting R 1“(electrical isolation)

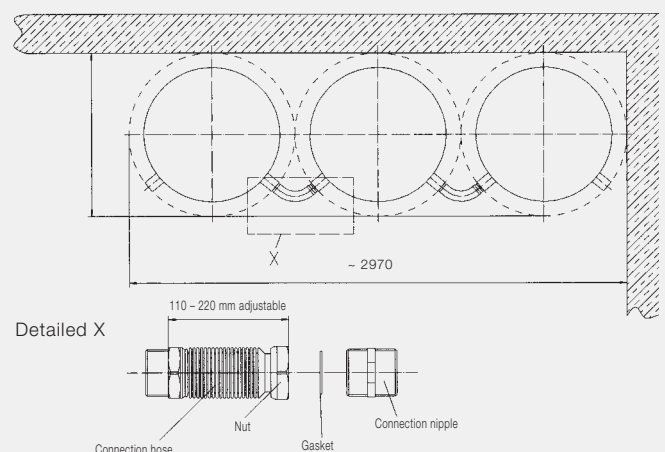


NEW

Key benefits.

- Everything from one source - storage tank and insulation are manufactured by Austria Email
- Perfect corrosion protection - storage tank with enamelled powder coating outside
- Stable, shape-retaining polystyrene cladding
- Perfect fit, therefore no thermal losses
- Insulated port caps for the connectors
- Up to € 3100 savings on energy costs over the lifetime of a 1000 litre storage tank with ECO SKIN 2.0

EXAMPLE LINE-UP BACKUP TANKS 3 X 1000 LITRE





WE PRODUCE
IN AUSTRIA AND
DELIVER TO EUROPE

Head office and factory: Austria Email AG
A-8720 Knittelfeld, Austriastrasse 6
Phone (03512) 700-0, Fax (03512) 700-239
Internet: www.austria-email.at
E-mail: office@austria-email.at

Customer Service: Phone (03512) 700-297
E-mail: kundendienst@austria-email.at

Sales offices:

Vienna, Lower Austria, Burgenland
A-1230 Wien, Zetschegasse 17
Phone (01) 6150727, Fax (01) 6150727-260
E-mail: bhrastnik@austria-email.at

Styria, Carinthia, East Tyrol
A-8053 Graz, Am Wagrain 62
Phone (0316) 271869, Fax (0316) 273126
E-mail: gbretterklieber@austria-email.at

Upper Austria, Salzburg
A-4600 Wels, Gärtnerstrasse 17
Phone (07242) 45071, Fax (07242) 43650
E-mail: akwetton@austria-email.at

Tyrol, Vorarlberg
A-6020 Innsbruck, Etrichgasse 24
Phone (0512) 347951, Fax (0512) 393353
E-mail: hrupepp@austria-email.at

Sales offices Germany:

Germany North/East
D-14770 Brandenburg, Beetzseeufer 3
Phone 0049/(0)3381 / 766-0
Fax 0049/(0)3381 / 766-244
E-mail: sgobi@austria-email.at

Germany South
D-92637 Weiden/Opf., Parksteiner Strasse 49
Phone 0049/(0)961 / 63 490-0
Fax 0049/(0)961 / 63 490-30
E-mail: ahirmer@austria-email.at

